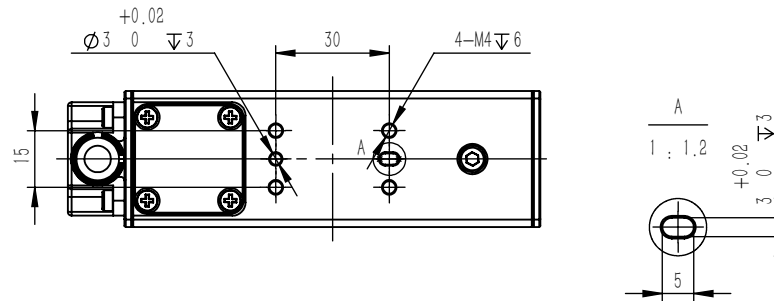
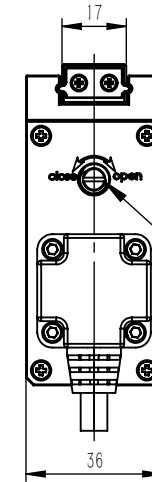
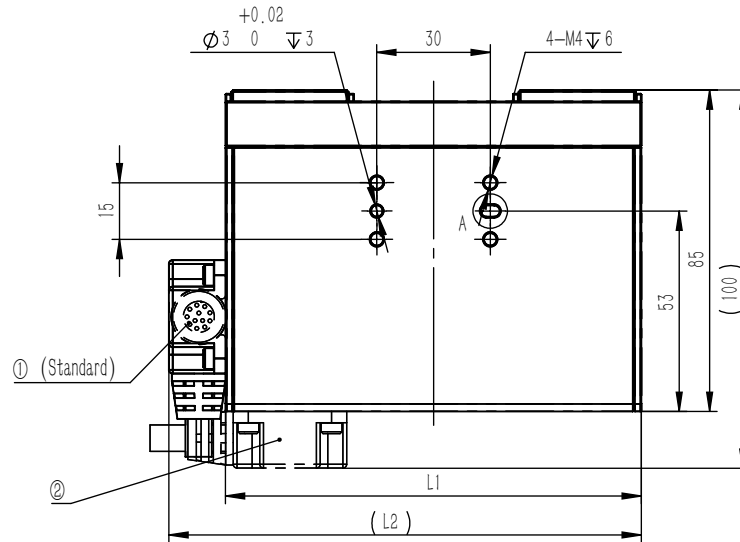


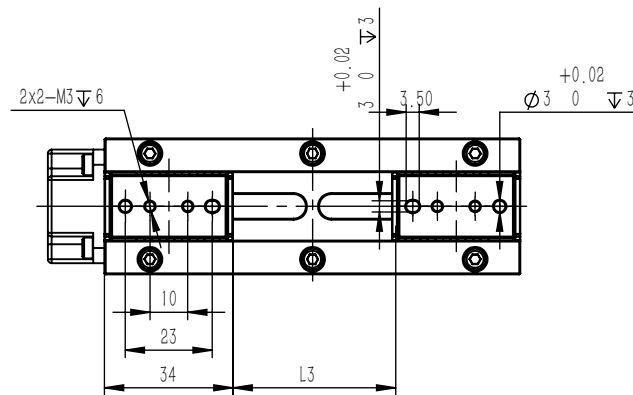
Unit: mm



Stroke	20	40
L1	90	110
L2	105	125
L3	0~20	0~40



During a power failure, adjust the screw position to control the gripper. Turn it clockwise to open and counterclockwise to close.



Installation Instructions:

1. When fixing the main body, please use all the screws on the same installation surface.
2. When tightening the bolts, do not exceed the depth of the threaded hole.
3. Wiring positions (① and ②) are available (the default is ①). Grippers with a stroke of 20mm have only one available wiring position, which is ①.