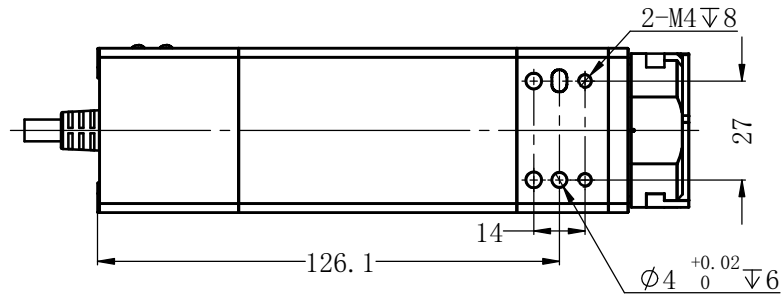
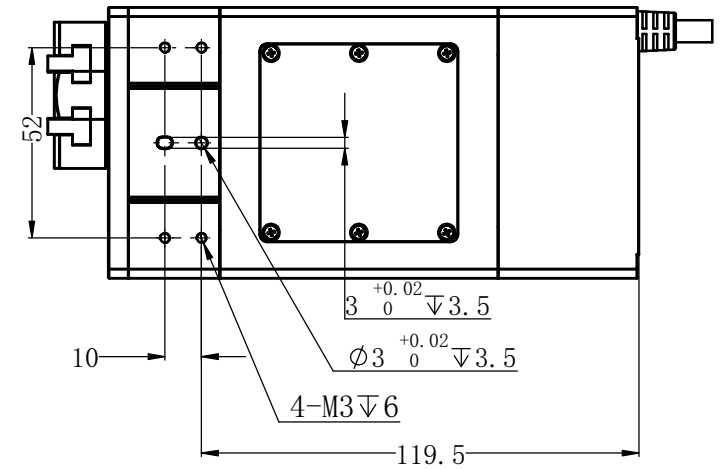
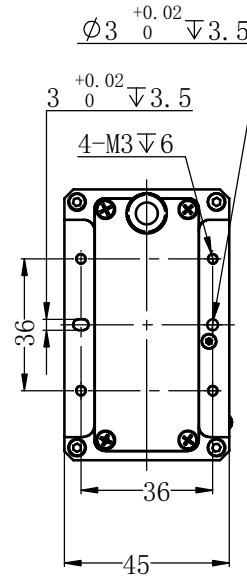
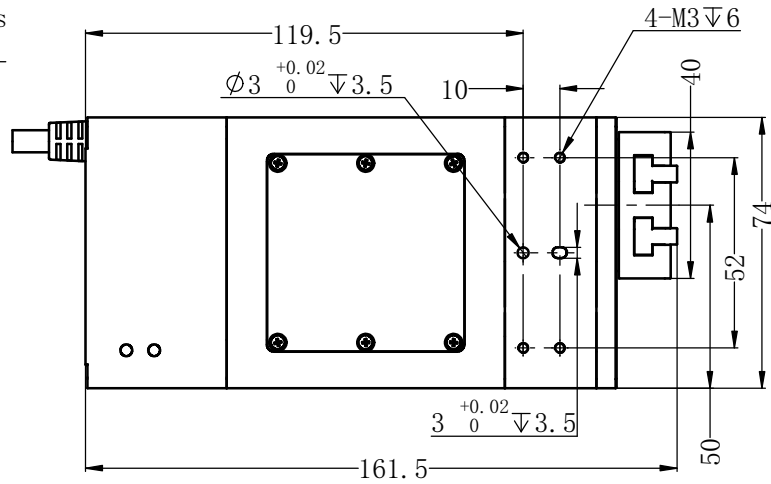
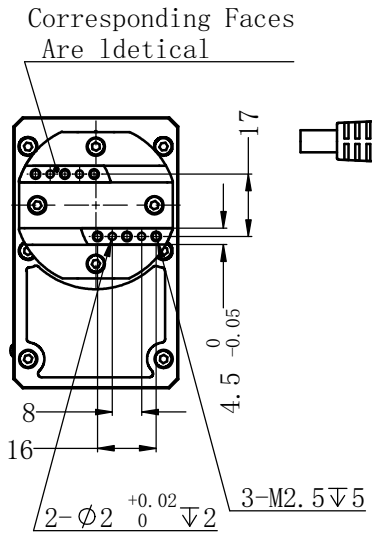


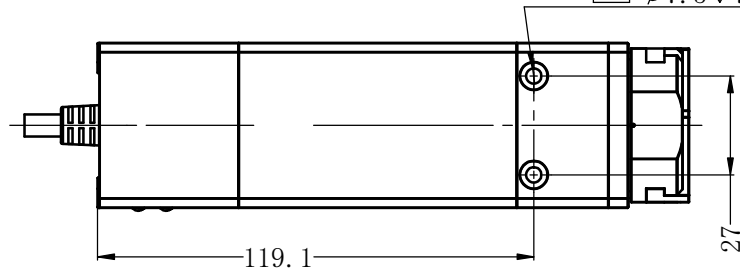
Unit:mm



Corresponding Faces  
Are Identical



2- $\phi 4.2$ -Penetration  
└┘  $\phi 7.5 \nabla 7$



Installation Instructions:

1. When fixing the main body, please use all the screws on the same installation surface.
2. When tightening the bolts, do not exceed the depth of the threaded hole.