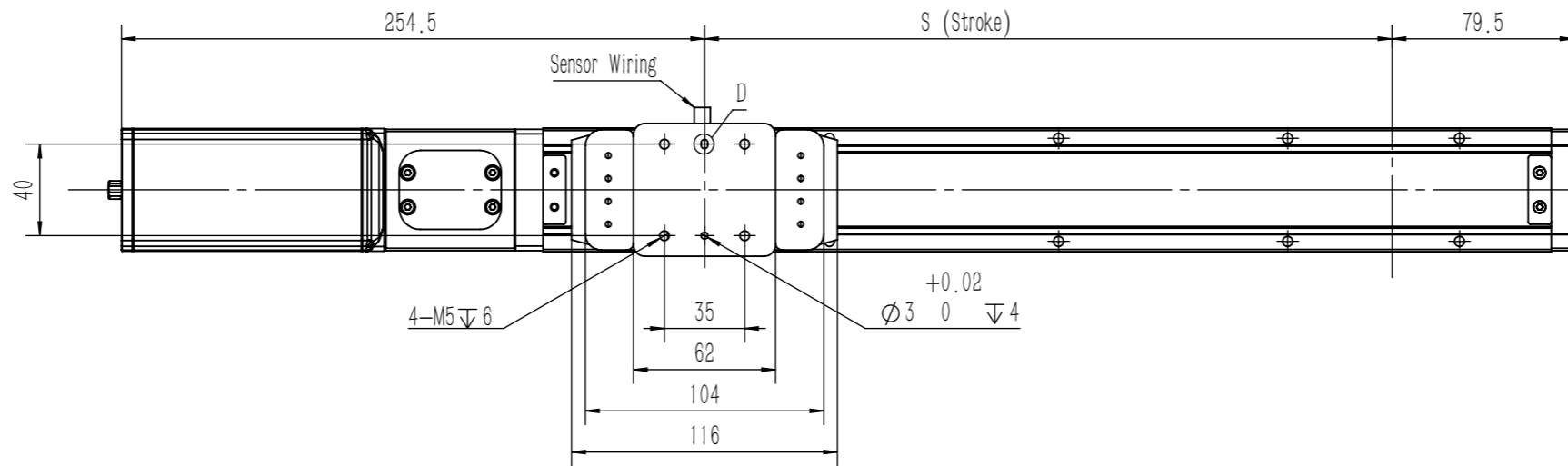
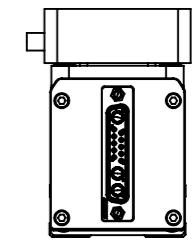
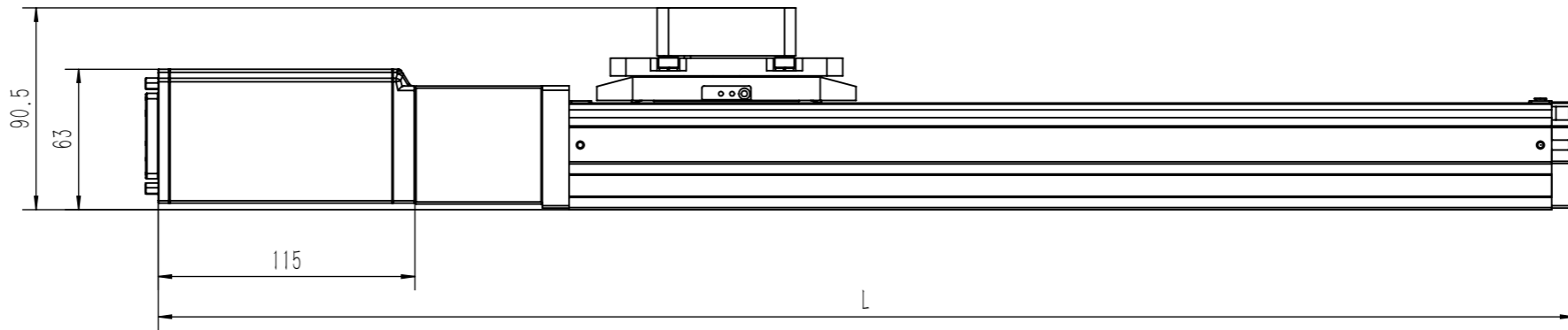
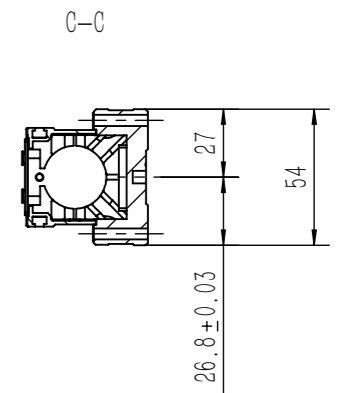
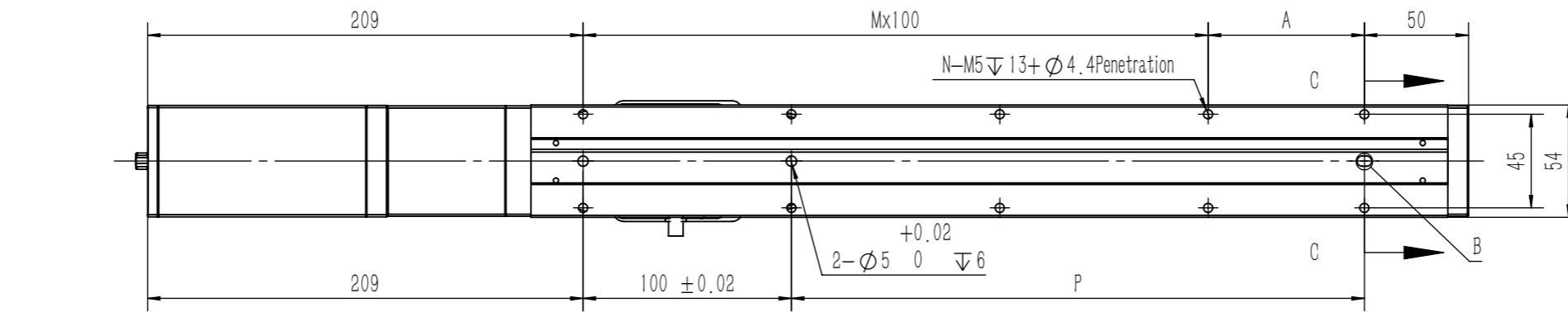
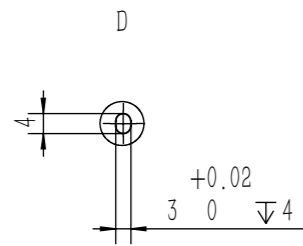
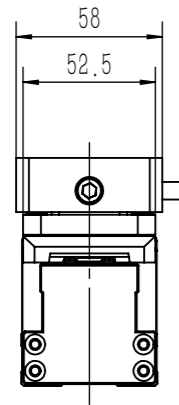
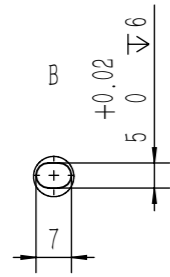


Unit: mm



Installation Instructions.

1. When fixing the main body, please use all the screws on the same installation surface.
2. When tightening the bolts, do not exceed the depth of the threaded hole.
3. If the stroke is 50 mm, the fixing hole will be blocked by the slider due to fixing the body from the top to the bottom. Therefore, only 4 screws can be used in this case or fix the actuator body from the bottom to the top.

Stroke	50	100	150	200	250	300	350	400	450	500	550	600	650	700	750	800
L	384	434	484	534	584	634	684	734	784	834	884	934	984	1034	1084	1134
A	25	75	25	75	25	75	25	75	25	75	25	75	25	75	25	75
M	1	1	2	2	3	3	4	4	5	5	6	6	7	7	8	8
N	6	6	8	8	10	10	12	12	14	14	16	16	18	18	20	20
P	25	75	125	175	225	275	325	375	425	475	525	575	625	675	725	775