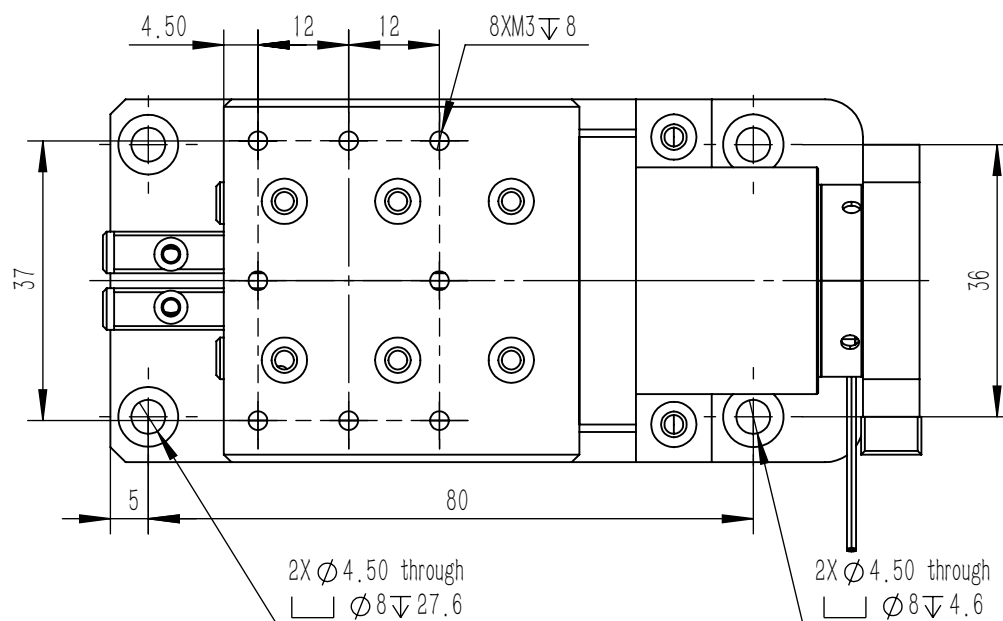
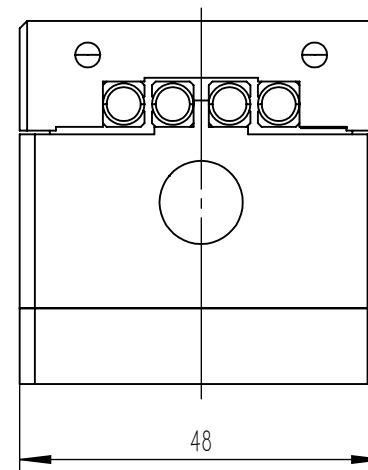
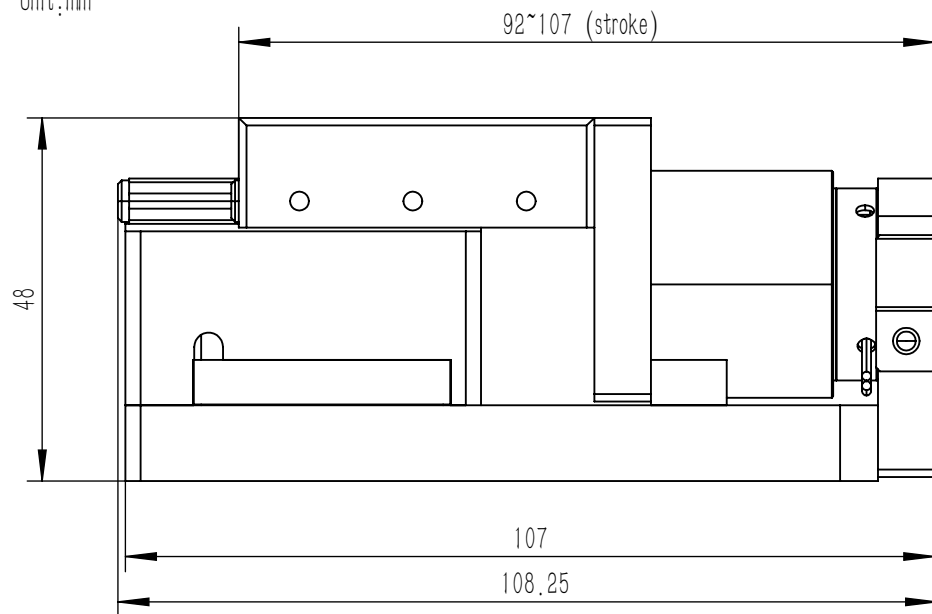


Unit: mm



Note:

1. To ensure the accuracy of each axis, it is recommended that the flatness of the installation base plane be within 0.01/500mm;
2. The test temperature of positioning accuracy is 25 ± 1 degrees Celsius. When the environment changes, the accuracy will also change, and the actual situation needs to be re-compensated
3. When fixing the main body, please make use of all the screw holes on same mounting surface;
4. Don't exceed the depth of the threaded hole when tightening the bolt.